

Abutment Retrieval Instrument Zirconia Conical Connection

Instructions for use



Important: Please read.

Disclaimer of liability:

This product is part of an overall concept and may only be used in conjunction with the associated original products according to the instructions and recommendation of Nobel Biocare. Non-recommended use of products made by third parties in conjunction with Nobel Biocare products will void any warranty or other obligation, express or implied, of Nobel Biocare. The user of Nobel Biocare products has the duty to determine whether or not any product is suitable for the particular patient and circumstances. Nobel Biocare disclaims any liability, express or implied, and shall have no responsibility for any direct, indirect, punitive or other damages, arising out of or in connection with any errors in professional judgment or practice in the use of Nobel Biocare products. The user is also obliged to study the latest developments in regard to this Nobel Biocare product and its applications regularly. In cases of doubt, the user has to contact Nobel Biocare. Since the utilization of this product is under the control of the user, they are his/her responsibility. Nobel Biocare does not assume any liability whatsoever for damage arising thereof. Please note that some products detailed in this Instruction for Use may not be regulatory cleared, released or licensed for sale in all markets.

Description:

The Abutment Retrieval Instrument Zirconia is reusable and made of stainless steel. Two versions of the instrument are available, one for NP internal conical connection and one for RP/WP internal conical connection.

Intended use:

The instrument may be used to remove a zirconia abutment if the abutment is stuck in the implant connection due to the tight conical seal.

Indications:

The Abutment Retrieval Instrument Zirconia Conical Connection NP and RP/WP are indicated to remove zirconia abutments (NobelProcera® zirconia restorations, Procera® Esthetic Abutment) from Nobel Biocare implants with conical connection NP and RP/WP, respectively.

The instruments are also compatible with the NobelProcera® ASC Abutment and the NobelProcera® FCZ Implant Crown for removal of the metal adapter.

Contraindications:

In general, contraindications are applicable for implant surgery related procedures in patients:

- who are medically unfit for an oral surgical procedure.
- who are allergic or hypersensitive to medical grade stainless steel or any of its alloying components.

Warnings:

Do not use the abutment retrieval instrument for the removal of titanium abutments. It is strongly recommended that the abutment retrieval instrument is used only with Nobel Biocare zirconia abutments for conical connection as combining components with different dimensions can lead to mechanical and/or instrumental failure or damage the tissue.

Cautions:

Care and maintenance of instruments are crucial for a successful treatment. Sterilized instruments not only safeguard your patients and staff against infection but are also essential for the outcome of the total treatment.

All instruments and tooling used in surgery must be maintained in good condition and care must be taken that instrumentation does not damage implants or other components. Because of the small size of the devices, care must be taken that they are not swallowed or aspirated by the patient.

It is strongly recommended that clinicians, new as well as experienced implant users, always go through special training before undertaking a new treatment method. Nobel Biocare offers a wide range of courses for various levels of knowledge and experience. For more info please visit www.nobelbiocare.com.

Working the first time with a colleague, experienced with the new device/treatment method, avoids eventual complications. Nobel Biocare has a global network of mentors available for this purpose.

Handling procedure:

Procedure:

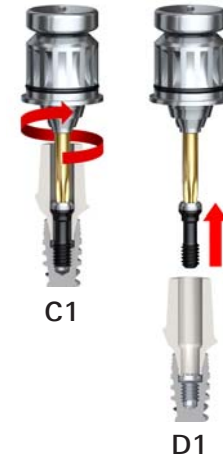
Situation: Abutment/clinical screw has been removed (C1 and D1) using the Screwdriver Unigrip™ and abutment/restoration is stuck due to the tight conical seal.

Note: The abutment/clinical screw must be unthreaded from both the internal threads of the implant and the abutment. In case the loose abutment/clinical screw is difficult to remove, use a small amount of sticky wax on the tip of the Screwdriver Unigrip™, which will aid in retention of the abutment screw head.

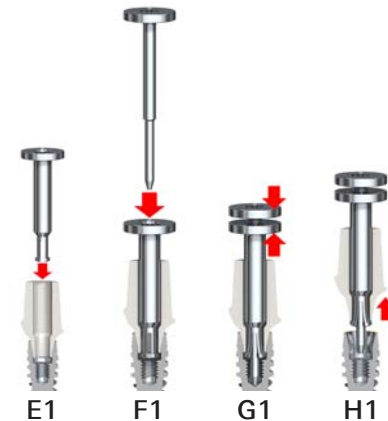
The Abutment Retrieval Instrument consists of two pieces, engaging pin (A) and activating needle (B).



a) Abutment without adapter



1. Insert the engaging pin into the abutment until it reaches a stop (E1).
2. Assemble the instrument by inserting the activating needle (F1).
3. Squeeze the Abutment Retrieval Instrument parts together using e.g. a hemostat or pliers until the abutment is released (G1).
4. Remove abutment together with Abutment Retrieval Instrument from implant (H1).
5. Remove the activating needle first and then carefully pull by hand the engaging pin from the abutment.

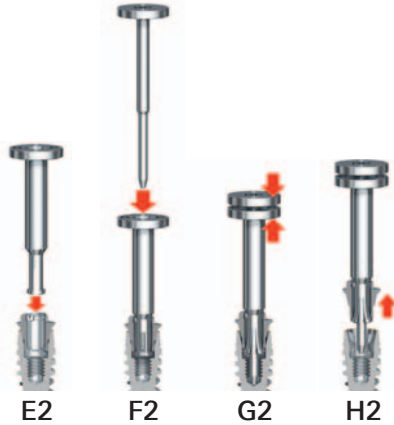


b) Abutment with metal adapter

1. Remove the abutment so that only the metal adapter stays in place.
2. Insert the engaging pin into the metal adapter of the abutment until it reaches a stop (E2).

Note: The engaging pin has to be pushed in rather firmly to reach its end stop. There is first an intermediate stop that has to be passed before the pin is in final position.

3. Assemble the instrument by inserting the activating needle (F2).
4. Squeeze the Abutment Retrieval Instrument parts together using e.g. a hemostat or pliers until the metal adapter is released (G2).
5. Remove metal adapter together with Abutment Retrieval Instrument from implant (H2).
6. Remove the activating needle first and then carefully pull, by hand, the engaging pin from the metal adapter.



For additional information on surgical procedures please consult the "Retrieval instrumentation" procedures manual available at www.nobelbiocare.com or request latest printed version from a Nobel Biocare representative.

Materials:

Medical grade stainless steel.

Cleaning and sterilization instructions:

The devices are delivered non-sterile and must be cleaned and sterilized prior to use.

For USA: Seal single device in a pouch and steam sterilize at 270°F (132°C) for 3 minutes.
For outside USA: Seal single device in a pouch and steam sterilize at 132°C–135°C (270°F–275°F) for 3 minutes.
Alternative UK: Seal single device in a pouch and steam sterilize at 134°C–135°C (273°F–275°F) for 3 minutes.

Full set of recommended parameters are provided in "Cleaning & Sterilization Guidelines including MRI Information of Nobel Biocare Products" available at www.nobelbiocare.com/sterilization or request latest printed version from a Nobel Biocare representative.

Warning: Use of non-sterile components may lead to infection of tissues or infectious diseases.

MR safety information:


Please note that the product has not been evaluated for safety and compatibility in the MR environment. The product has not been tested for heating or migration in the MR environment.

Storage and handling:

The product must be stored in a dry place in the original packaging at room temperature and not exposed to direct sunlight. Incorrect storage may influence device characteristics leading to failure.

Disposal:

Disposal of the device shall follow local regulations and environmental requirements, taking different contamination levels into account.

 **Manufacturer:** Nobel Biocare AB, Box 5190, 402 26
Västra Hamngatan 1, 411 17 Göteborg, Sweden.
Phone: +46 31 81 88 00. Fax: +46 31 16 31 52. www.nobelbiocare.com

Canada license exemption: Please note that not all products may have been licensed in accordance with Canadian law.

Prescription device: Rx only

Caution: Federal law restricts this device to sale by or on the order of a licensed physician or dentist.



US All rights reserved.

Nobel Biocare, the Nobel Biocare logotype and all other trademarks used in this document are, if nothing else is stated or is evident from the context in a certain case, trademarks of Nobel Biocare. Product images in this folder are not necessarily to scale.